



Casting Screw Hex Head Bushing 3 Inch 4 Inch SS 150LB Fittings

Our Product Introduction

for more products please visit us on flangespipefittings.com

Basic Information

- Place of Origin: CHINA
- Brand Name: KASUGAI
- Certification: ISO; PED
- Model Number: AISI 304 MSS SP-114 CL150 Casting Screw Hex Head Bushing
- Minimum Order Quantity: TO BE NEGOTIATED
- Price: TO BE NEGOTIATED
- Packaging Details: SEAWORTHY PACKING
- Delivery Time: 60 DAYS FOR ONE CONTAINER
- Payment Terms: L/C, T/T
- Supply Ability: 100 TONS / MONTH



Product Specification

- Product Name: AISI 304 MSS SP-114 CL150 Stainless Steel Casting Screw Hex Head Bushing
- Thread Type: ASME B1.20.1(NPT), BS 21 (NSPT), DIN2999/259
- Dimensions: MSS SP-114-2018
- Standards: AISI 304/L
- Size Range: 1/4" To 4"
- Pressure Class: 150
- Highlight: **Hex SS 150LB Fittings, Casting Hex Head Bushing, Bushing SS 150LB Fittings**

Product Description

AISI 304 MSS SP-114 CL150 Stainless Steel Casting Screw Hex Head Bushing

Product Information

Product Name	AISI 304 MSS SP-114 CL150 Stainless Steel Casting Screw Hex Head Bushing
Thread Types	ASME B1.20.1(NPT), BS 21 (NSPT), DIN2999/259
Dimensions	MSS SP-114
Size Range	1/4" to 4"
Pressure Class	Class 150
Materials	AISI 304/L

Standard & Materials: AISI 304L

The SAE/ANSI 304 (AISI 304) is the most commonly available and used type of stainless steel. It is also referred to as 18/8 stainless steel, A2 stainless steel (as per the ISO 3506), or 304S15 (as per the British Standard). This is an austenitic chromium-nickel alloy which practically means that it has a very high corrosion resistance. It is also nonmagnetic and can't be hardened through heat treatment. As AISI 304 can withstand extremely corrosive environments and can be shaped, machined and welded relatively easy, it is very popular for a wide range of applications.

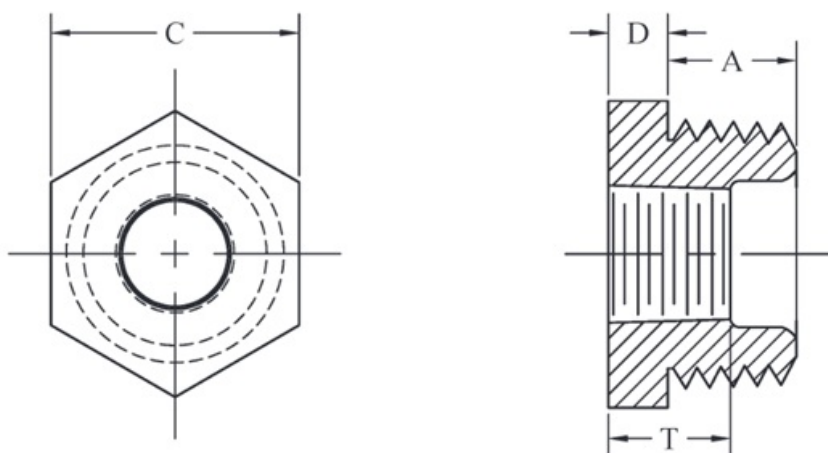
AISI 304/L Chemical Composition (%)

Grade	C, max	Cr	Mn, max	Ni	P, max	S, max	Si, max
AISI 304	0.08	18~20	2	8~10.5	0.045	0.03	1
AISI 304L	0.03	18~20	2	8~12	0.045	0.03	1

AISI 304/L Mechanical Properties

Mechanical Properties	304	304L
Hardness, Knoop	138	158
Hardness, Rockwell B	70	82
Hardness, Vickers	129	159
Tensile Strength, Ultimate	505 MPa	564 MPa
Tensile Strength, Yield	215 MPa	210 MPa
Elongation at Break	70%	58%
Modulus of Elasticity	193~200 GPa	193~200 GPa
Charpy Impact	325 J	216J

Dimensions of Class 150 Cast Threaded Hex Head Bushings (inches)



NPS	Length of External Thread (min.) 0.16	Length of Internal Thread (min.)	Height of Head (min.)	Nominal Width Across Flats (b)
	A	T	D	C
1/4 x 1/8	0.44	0.26	0.12	5/8
3/8 x 1/8	0.50	0.40	0.16	11/16 ^(a)
3/8 x 1/4	0.50	0.40	0.16	11/16 ^(a)
1/2 x 1/8	0.56	0.26	0.19	7/8

1/2 x 1/4	0.56	0.40	0.19	7/8
1/2 x 3/8	0.56	0.41	0.19	7/8
3/4 x 1/8	0.62	0.26	0.22	1 1/16 (a)
3/4 x 1/4	0.62	0.40	0.22	1 1/16 (a)
3/4 x 3/8	0.62	0.41	0.22	1 1/16 (a)
3/4 x 1/2	0.62	0.53	0.22	1 1/16 (a)
1 x 1/8	0.75	0.26	0.25	1 3/8
1 x 1/4	0.75	0.40	0.25	1 3/8
1 x 3/8	0.75	0.41	0.25	1 3/8
1 x 1/2	0.75	0.53	0.25	1 3/8
1 x 3/4	0.75	0.55	0.25	1 3/8
1 1/4 x 1/4	0.81	0.40	0.28	1 3/4
1 1/4 x 3/8	0.81	0.41	0.28	1 3/4
1 1/4 x 1/2	0.81	0.53	0.28	1 3/4
1 1/4 x 3/4	0.81	0.55	0.28	1 3/4
1 1/4 x 1	0.81	0.68	0.28	1 3/4
1 1/2 x 1/4	0.81	0.40	0.31	2
1 1/2 x 3/8	0.81	0.41	0.31	2
1 1/2 x 1/2	0.81	0.53	0.31	2
1 1/2 x 3/4	0.81	0.55	0.31	2
1 1/2 x 1	0.81	0.68	0.31	2
1 1/2 x 1 1/4	0.81	0.71	0.31	2
2 x 1/4	0.88	0.40	0.34	2 1/2
2 x 3/8	0.88	0.41	0.34	2 1/2
2 x 1/2	0.88	0.53	0.34	2 1/2
2 x 3/4	0.88	0.55	0.34	2 1/2
2 x 1	0.88	0.68	0.34	2 1/2
2 x 1 1/4	0.88	0.71	0.34	2 1/2
2 x 1 1/2	0.88	0.72	0.34	2 1/2
2 1/2 x 1/2	1.06	0.53	0.38	3
2 1/2 x 3/4	1.06	0.55	0.38	3
2 1/2 x 1	1.06	0.68	0.38	3
2 1/2 x 1 1/4	1.06	0.71	0.38	3
2 1/2 x 1 1/2	1.06	0.72	0.38	3
2 1/2 x 2	1.06	0.76	0.38	3
3 x 1/2	1.12	0.53	0.41	3 1/2
3 x 3/4	1.12	0.55	0.41	3 1/2
3 x 1	1.12	0.68	0.41	3 1/2
3 x 1 1/4	1.12	0.71	0.41	3 1/2
3 x 1 1/2	1.12	0.72	0.41	3 1/2
3 x 2	1.12	0.76	0.41	3 1/2
3 x 2 1/2	1.12	1.14	0.41	3 1/2
4 x 1	1.25	0.68	0.50	4 5/8
4 x 1 1/4	1.25	0.71	0.50	4 5/8
4 x 1 1/2	1.25	0.72	0.50	4 5/8
4 x 2	1.25	0.76	0.50	4 5/8
4 x 2 1/2	1.25	1.14	0.50	4 5/8
4 x 3	1.25	1.20	0.50	4 5/8

